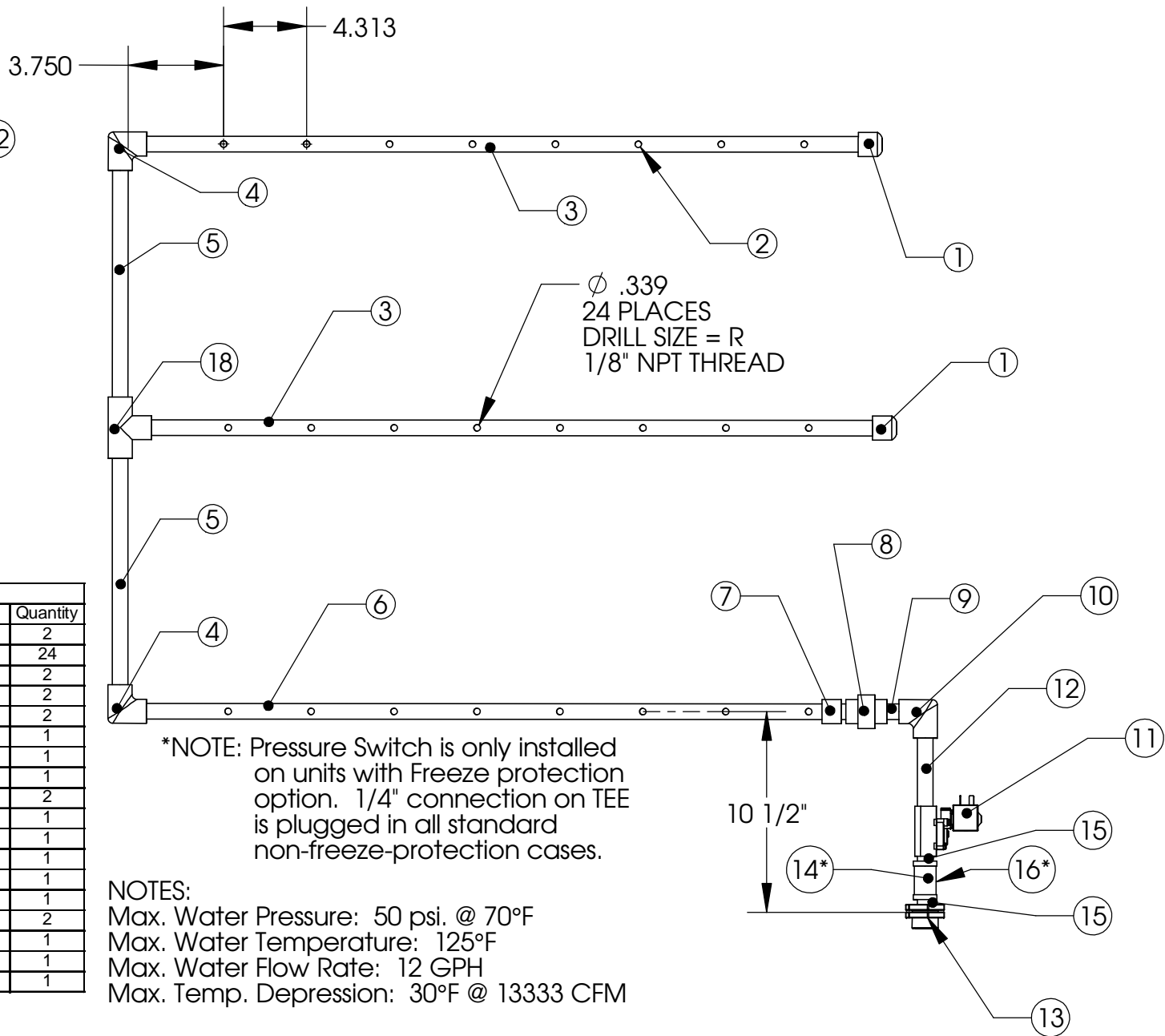
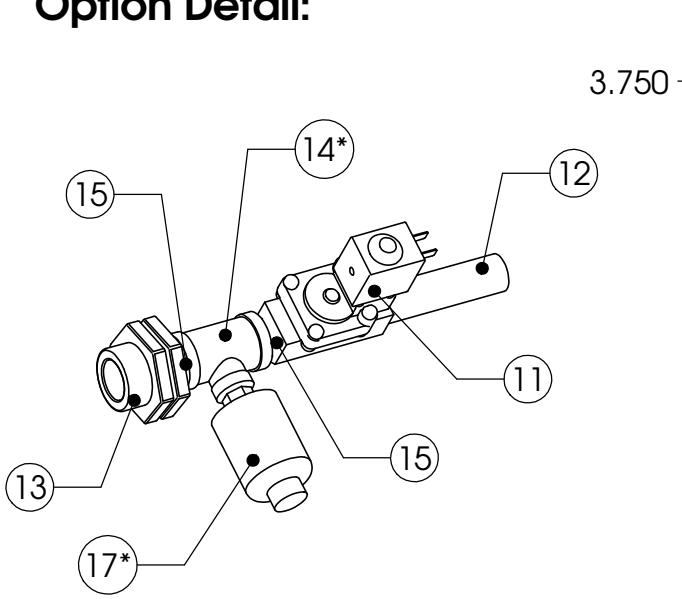


Freeze Protection Option Detail:



BILL OF MATERIALS

ITEM NUMBER	Description	Quantity
1	1/2" PVC CAP	2
2	CC-213 2.0 GPH ANTI-DRIP NOZZLE	24
3	1/2" x 38-1/4" SMOOTH PVC PIPE	2
4	1/2" PVC SMOOTH ELBOW	2
5	1/2" x 13-1/2" SMOOTH PVC PIPE	2
6	1/2" x 35-3/4" SMOOTH PVC PIPE	1
7	1/2" PVC MALE NPT x SOCKET	1
8	1/2" PVC NPT UNION	1
9	1/2" x 1-1/4" PVC CLOSE NPT NIPPLE	2
10	1/2" NPT 90° BRASS ELBOW	1
11	L180B33Z610A 1/2" SOLENOID VALVE	1
12	1/2" x 5" NPT BRASS NIPPLE	1
13	1/2" QUICK SEAL (32-00002)	1
14*	1/2" X 1/4" X 1/2" NPT BRASS TEE (4429K226)	1
15	1/2" CLOSE NPT BRASS NIPPLE (4568K171)	2
16*	1/4" NPT BRASS PLUG (50785K253)	1
17*	1/4" CONNECTION RESSURE SWITCH (EC260)	1
18	1/2" PVC SMOOTH TEE	1

Material: N/A
Blank Size: N/A x N/A
Weight: N/A lbs

Part Number: N/A
MACOLA/AX Number:
Drawing Name: EC 4 Tubing Assembly
Drawn By: BRH
Parent Assembly: EC 4
Sheet: 1 of 2

Unless Otherwise Specified
Dimensions are in Inches.

Standard Tolerances are:
Fractions: $\pm 1/16$
Decimal: $.XX \pm .05$
.XXX $\pm .015$
Angles: $\pm 1^\circ$

CONFIDENTIAL